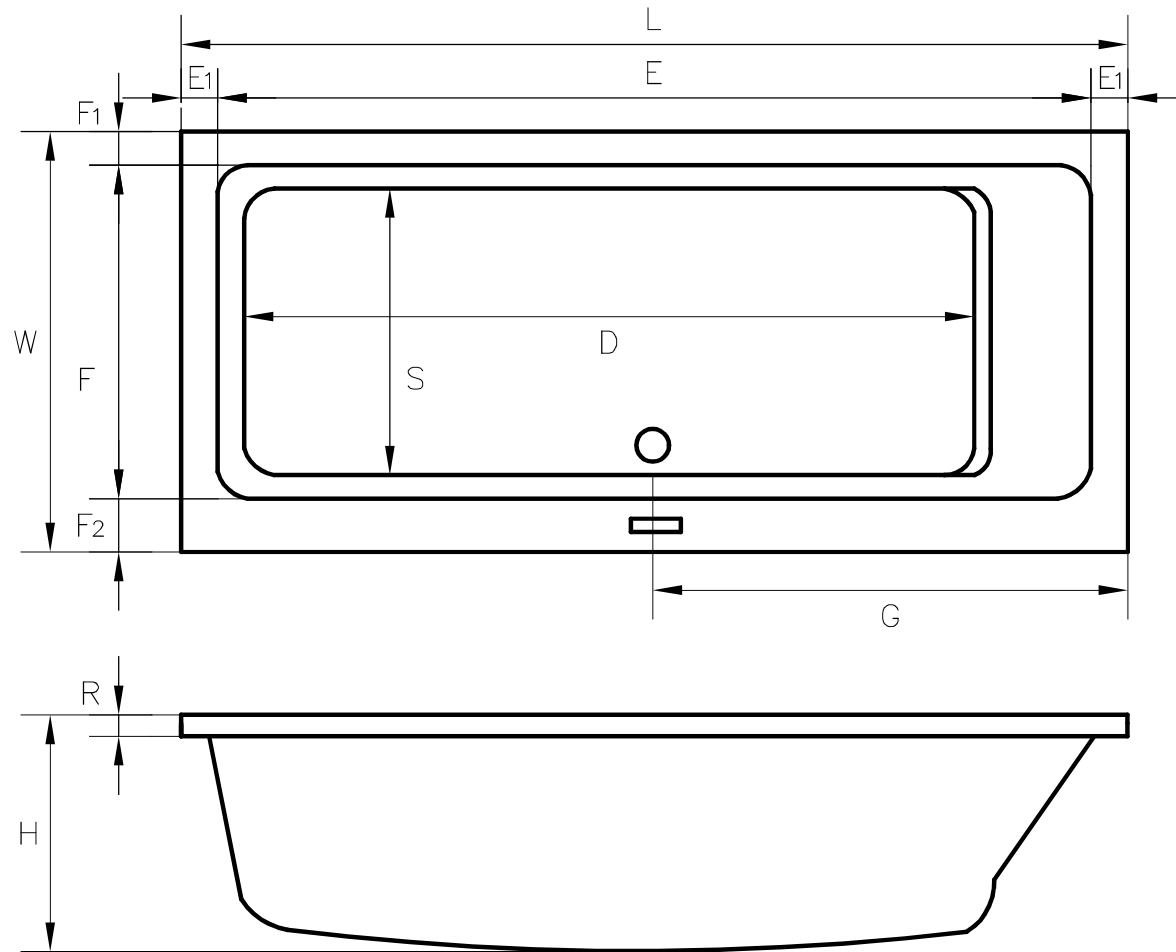


# NIWELL

## OPAL

160x70 170x75



	160x75	170x75
L	1600	1700
W	750	750
G	870	920
D	1210	1310
R	40	40
H	450	450
S	530	530
E	1480	1580
E <sub>1</sub>	60	60
F	610	610
F <sub>1</sub>	60	60
F <sub>2</sub>	80	80
V	235	250